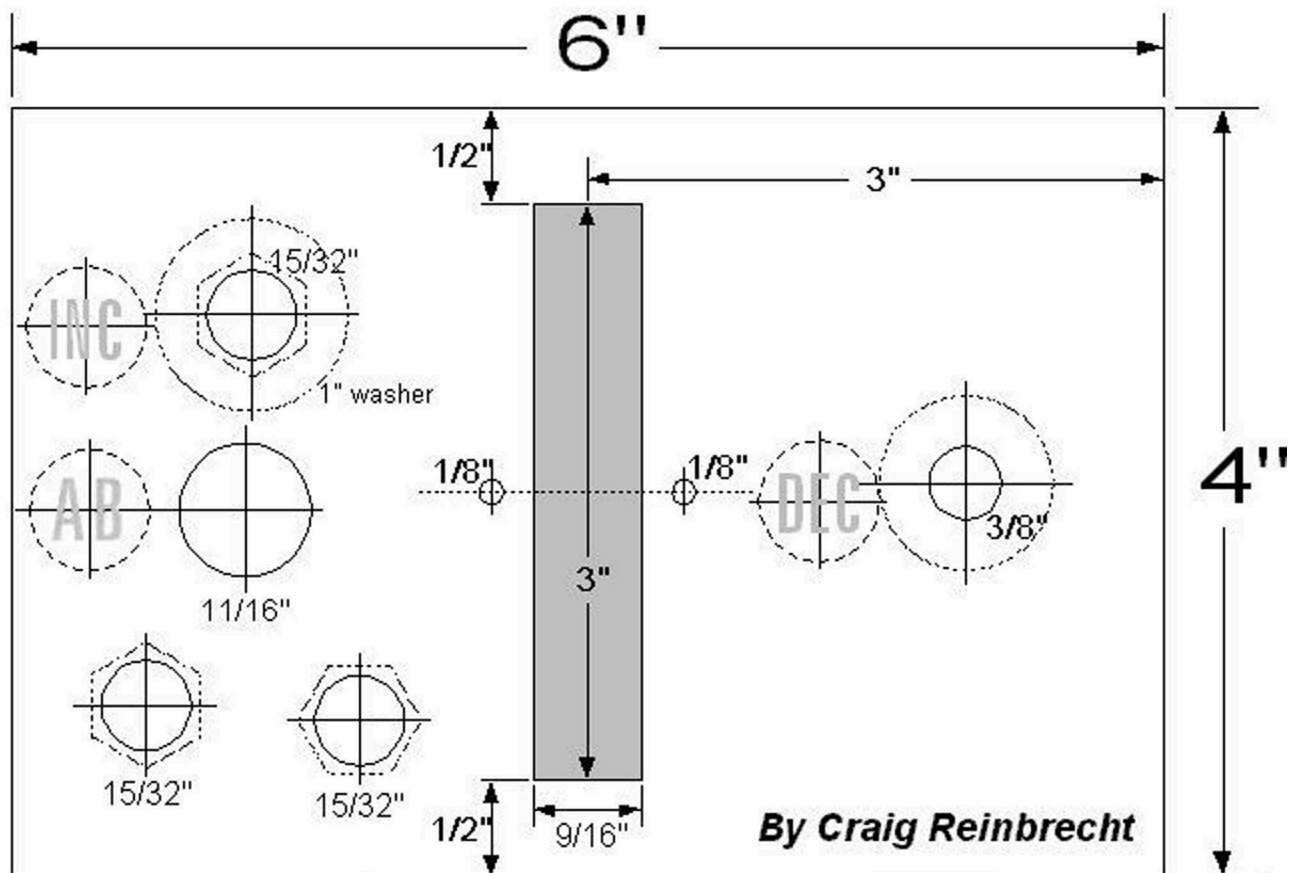


# Programming Panel

Accurate Authentic Version (as it was on the Hero B9)



## Drilling Template